

PW-SPA **HOT TUBS**

INSTALLATION AND USER MANUAL



Warnings and safety p. 3

1. Transporting the hot tub p. 4

2. Installing the hot tub p. 4

- 2.1 Fire safety and safety distances
- 2.2 Foundation
- 2.3 Installing the hot tub and stove

3. Using the hot tub p. 7

- 3.1 Preparations
- 3.2 Heating
- 3.3 After use
- 3.4 Use in winter

4. Maintenance of the hot tub p. 10

- Tub and lid
- Wood panelling
- Chimney and stove
- Other parts

5. Recycling the hot tub p. 10

6. Guarantee p. 11

Technical data: PW-SPA Hot Tubs

Hot tub diameter	170 cm	180 cm	200 cm
Number of persons	4-6	6-8	8-10
Height	110 cm	110 cm	110 cm
Max depth of water	104 cm	104 cm	104 cm
Water volume when bathing	1200 l (1100l stove integrated)	1400 l (1300l stove integrated)	1700 l (1600 l stove integrated)

Read this installation and user manual carefully before installing and using the hot tub. In the warnings, instructions, and precautions of the manual we mention the most common risks with water activities, but not all risks and dangers that may arise in different situations are covered. Pay attention, use common sense, and make wise decisions when in water.



Warnings and safety



The owner of the hot tub is responsible for following the installation and user manuals.

Risk of accidental drowning!

Always keep watch over children who are inside or in the vicinity of the hot tub due to risk of drowning and fire. Always place the lid on top of the hot tub when it is not in use, for safety reasons and to minimize heat waste. To avoid accidents during hot tub use, ensure that children are kept under constant adult supervision.

Risk of suffocation!

The tub is for outdoor use only and is equipped with a combustion stove.

Under no circumstances jump into the tub.

Risk of injury and harm to health!

The user should always check the water temperature before entering the hot tub.

The water temperature should never exceed 40 °C. Lower water temperatures are recommended for young children and when hot tub use exceeds 10 min. It is recommended to seek medical advice before use.

Since excessive water temperature have a high potential for causing foetal damage during the early months of pregnancy, women should limit spa water temperature and duration of use and should also seek medical advice.

The warm water can cause risks to health. Pay attention and get out of the hot tub if you are experiencing discomfort. During a longer bath, make sure to stay hydrated since plenty of fluid evaporates from the body in the hot bath water.

The use of alcohol, drugs, or medication before or during hot tub use may lead to unconsciousness, with the possibility of drowning.

Persons with any medical condition should seek medical advice before using a hot tub. Persons using medication should seek medical advice before using a hot tub since some medication may induce drowsiness while other medication may affect heart rate, blood pressure, and circulation.

Never swallow bath water or add chemicals to the water while people are bathing in the hot tub.

Remember that the hot tub stove and its chimney become very hot and may cause burns or risk of fire if you do not follow the instructions in the manual and take precautions.

Note! Do not sit in the direct vicinity of the pipe leading from the stove. The temperature of the water led from the stove, through the pipe and into the barrel may rise while heating, especially if the fire is burning strong. The inlets must under no circumstances be obstructed, not even temporarily while the stove is burning.

To avoid touching the hot chimney by mistake, we recommend that you don't place steps or other equipment near the chimney.

This manual is based on the EN 17125 standard.

1 Transporting the hot tub

The hot tub can be transported for instance by a passenger car and a light trailer.

The hot tub with standard equipment weighs 170 - 240 kg and the stove 30–45 kg depending on the model. Around 3–4 persons are required to carry and move the hot tub.

Do not lift the barrel from the top rim!

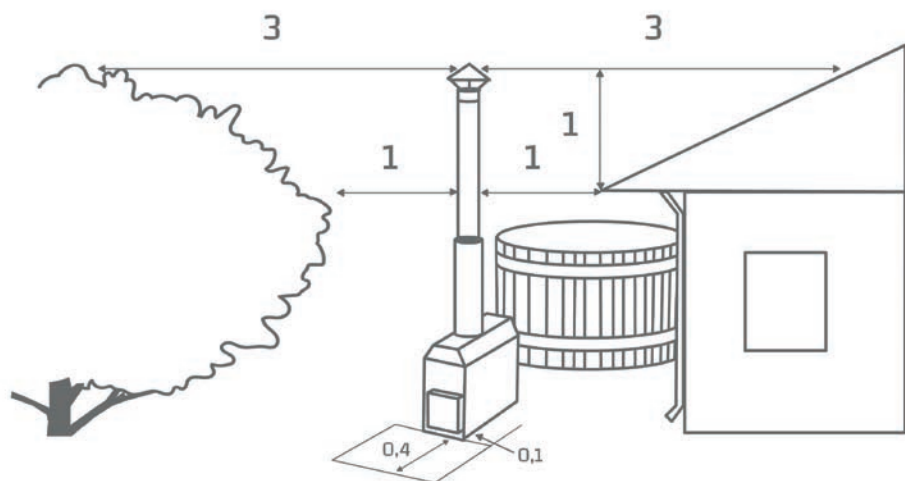


2 Installing the barrel hot tub

When choosing where to place the hot tub, you should consider its weight. Once filled with water and when people are bathing in the tub, it weighs around 1600 - 2200 kg.

Before choosing where to place the hot tub, ensure fire safety by checking the minimum safety distances to surrounding buildings and other combustible materials according to the picture attached. Also pay attention to the amount of wastewater once the hot tub is emptied and potential damp damage the water might cause the hot tub or surrounding buildings.

Safety distances of hot tub and stove (metres).



2.1 Fire safety and safety distances

The hot tub must not be placed closer than 1 metre from the eaves of buildings or other combustible materials. The top of the chimney should be placed at least 3 metres away from all combustible materials. If the chimney is placed near or led through the roof, it must be insulated and reach at least one metre above the eaves.

If there is a building or other combustible materials in the vicinity where sparks can fly, we recommend that you buy a spark fireguard as optional equipment. The safe distance in front of the stove is 40 cm and 10 cm to the sides. (See more detailed instructions under Foundation.)

If the hot tub is installed on a terrace, the stove should be placed safely with fireproof materials beneath the stove and in front of the fire hatch.

The chimney and hatch of the stove become hot during heating, so take care when bathing. The stove itself will not get hotter than the temperature of the bath water.

For fire safety reasons, make sure that the stove is not in a passageway and that children can't get near it.

For the standard chimney you can buy a spark fireguard, extension, or heat shield as optional equipment.

Check your local building and fire safety regulations to ensure that the barrel hot tub is placed in a safe place.

When using the standard hoses of the stove, the distance between the stove and the hot tub remains safe (1 m). If you cut the hoses, we recommend installing a heat shield (optional equipment) on the chimney to guarantee your personal safety.

2.2 Foundation

A convenient and durable foundation for the hot tub and stove is e.g. levelled macadam or gravel (at least 20 cm thick). The gravel and bedding must let through water well enough to keep the foundation dry. We recommend that the foundation is slightly higher than its surroundings. On top of the foundation, you can place level concrete slabs or cast an entire concrete ground plate. The hot tub and stove must be on the same level. Check that the foundation for the stove is level.

Under the hot tub, you should leave a ventilation crack (7–10 cm) so that the bottom of the barrel is kept dry. Grass and other vegetation should be removed from beneath the barrel, otherwise it will grow and might stop the wood paneling from drying and breathing.

Never transport or store the barrel on its side, as the uneven load might render the upper edge of the barrel asymmetrical.

2.3 Installing the hot tub and stove

Remove the pallet from beneath the hot tub. Do not lift the barrel from the top rim!



Install the hot tub and stove on a stable foundation.

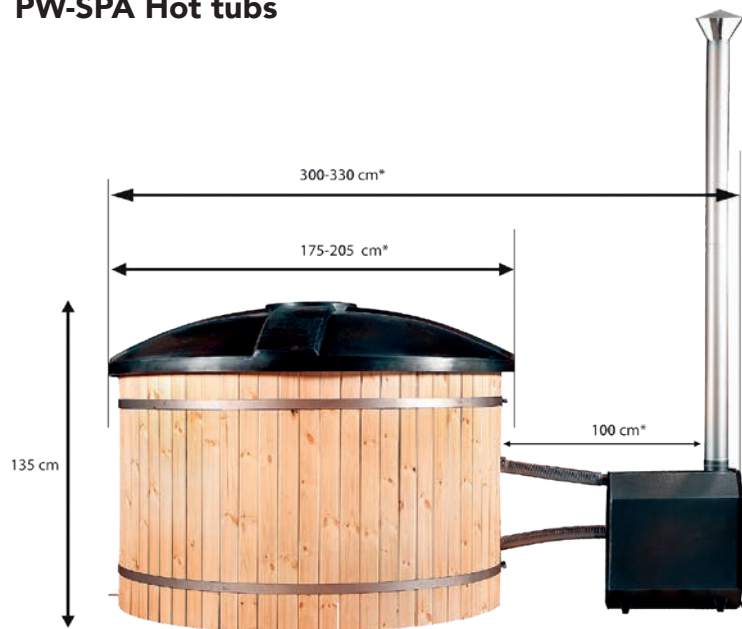
Following the instructions, connect the stove with the hoses of the barrel using the hose clamps included. If the stove is installed incorrectly, water might remain in the stove or hoses after use. When the water freezes it might damage the stove.

Install the chimney and its heat shield (optional equipment).

We recommend that you install a hose for wastewater (non-standard equipment) to lead the water to a suitable outlet further away from the barrel.

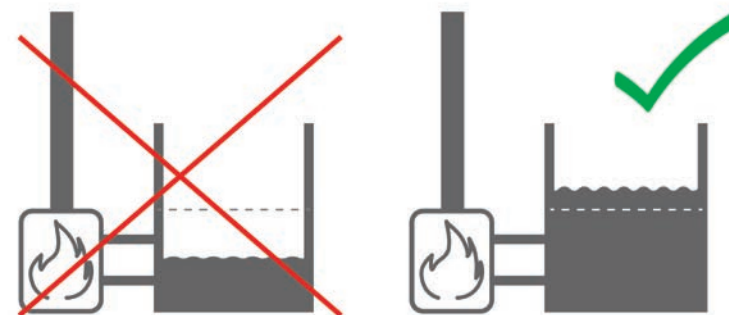
The hot tub and stove must be installed on the same level. A poorly installed hot tub might pose a safety risk.

PW-SPA Hot tubs



* Depending on a model.

- **The upper hose must rise upwards towards the barrel.**
- **The lower hose must fall downwards towards the barrel.**



 PLASTWELD

3

Using the hot tub

Note!

Never light the stove before the barrel is filled with water at least by 15 cm above the upper hose coupling

3.1 Preparations

Put the bottom plug of the barrel and the emptying plug on the front of the stove in place.

Make sure that the stove is level. Fill the barrel with clean water reaching at least 15 cm above the upper hose coupling before lighting the stove.

This way, you make sure that the water is circulating properly in the stove and that the stove is not damaged. If there is ice in the hose in winter, make sure that the water is circulating in the stove before lighting it! If there is frozen water in the stove or pipes, you must not light the stove until you have made sure the water is circulating. Otherwise the stove might build up pressure which might cause serious personal injury.

If there are many bathing at the same time, do not fill the barrel to the top as a lot of water will then flow over the edge. Heating excess water takes longer and consumes unnecessary energy.

If you are using chemicals (optional equipment) in the bath water read the manual and the instructions on the package carefully. Overdoses might cause corrosion of the barrel or stove parts. Do not allow the chemical solution to soak in the tub for too long and rinse the hot tub thoroughly after use. Chemicals must never be dispensed manually while people are bathing in the tub. Always follow the instructions on the package, where to drain the bath water when using chemicals."

If you are using another water source than domestic water, check with local authorities that the quality of the bathing water is high enough. (Directive 2006/7/EY minimum requirements for bathing water quality). When using natural water of bathing water quality (not drinking water) without chemicals, do not bathe longer than an hour. Heating the water must not last longer than 2 hours to avoid unwanted bacteria. In order to heat the water fast enough, use the lid.

3.2 Heating

- Before lighting the fire, make sure that the stove grate is clean, and the ash tray is empty.
- Use dry firewood of a suitable size and make sure the fire is burning properly in the stove while heating the water. Add more wood in 15–20-minute intervals. Don't fill the hearth with too much wood.
- Avoid using wet firewood of poor quality since pitch and soot will form in the chimney. Alder wood also builds up more soot in the chimney than other types of wood. Never use pressure treated wood or e.g. construction waste in the stove.
- You may use lighter fluid or fire starters to light the fire.
- Do not use other flammable liquids when lighting the fire as they might form gasses and cause an explosion!
- Stir the water during heating to achieve an even water temperature and before measuring the water temperature. Otherwise keep the hot tub lid closed to heat the water faster and save energy.
- When the temperature reaches around 30 degrees Celsius, you can use less firewood to keep the water from becoming too hot.
- Recommended bathing temperature is at around 35–38 degrees Celsius. The temperature should never exceed 40 degrees Celsius. For small children and when bathing longer than 10 minutes, lower temperatures are recommended.
- The amount of smoke can be reduced by adjusting the air intake in the stove and by using chopped, dry firewood.
- While bathing, check that the ash tray does not fill up with ash all the way up to the grate as the grate may overheat and be damaged.

3.3 After use

- Check that the fire and ember in the stove has gone out completely before starting to drain the barrel of water. Pull the plug in the stove and hot tub and drain the water. Check that the water flows where you want it to drain. Always empty the stove of ashes after use.
- Wash the hot tub after use according to the maintenance instructions (see Maintenance of the hot tub).
- Cover the dry and clean hot tub with the lid until the next use.

3.4 Use in winter

- Before using the hot tub in winter, always check there is no frozen water in the barrel, pipes, or stove as this might damage the stove. Never try to melt any ice in the stove/pipes by lighting a fire in the stove. The stove might melt and be destroyed if the water does not circulate properly. If there is frozen water in the stove or pipes, you must not light the stove until you have made sure the water is circulating. Otherwise the stove might build up pressure which might cause serious personal injury.
- Please note that heating the hot tub in winter takes longer and requires more firewood. The insulated lid available as optional equipment makes it faster to heat the barrel and keeps the water warm longer.
- When bathing in winter, use a beanie or some other headgear to avoid getting a cold.
- The lid of the hot tub is not made to withstand great amounts of snow. Sweep away the snow from the lid on a regular basis.
- After use, empty the hot tub, hoses, and stove with extra care to avoid them freezing, which might cause damage.



4 Maintenance of the hot tub

Tub and lid

Wash the plastic parts with a mild detergent. Rinse with plenty of water and dry. You can also disinfect the barrel when needed. The plastic parts can also be pressure washed. Do not use rough or hard materials when cleaning the hot tub.

Wood panelling

Surfaces exposed to the outdoors all year round must be surface treated annually or when needed. The wood panelling should be surface treated with suitable products. We recommend using water-borne transparent wood stain or water-borne oil for outdoor use.

Chimney and stove

With time, soot forms in the chimney and stove. Sweep when necessary.

The grate is subject to wear and needs to be replaced from time to time to avoid any larger damages.




Other parts

Check how tight the metal hoops of the hot tub are. Wood expands in damp weather and then you need to loosen the hoops. If it is hot and dry the wood contracts and then you need to tighten the hoops.

Check the condition of the hoses and that the hose clamps are suitably fastened. Replace the parts if needed.

5 Recycling the hot tub

The wooden parts of the hot tub can be burned. The metal parts are sorted as metal waste.

Mark	Part of hot tub	Waste recycling
	Wood panel, veneer, other wooden parts; outer panelling of hot tub, frame	Check with local waste management for recycling
	Pressure treated wood; wood laths	Check with local waste management for recycling
 HDPE	HDPE (polyethylene); plastic part of tub	Check with local waste management for recycling
 PS	Polystyrene (EPS); heat insulation (depending on the model)	Check with local waste management for recycling
 PVC	PVC plastic; pipes	Landfill waste
	Metal parts; barrel hoops, hose clamps, inlets, stove	Metal recycling

PW-SPA GUARANTEE

Our PW-SPA hot tubs have a 2-year general guarantee for material and manufacturing faults. The guarantee only applies if the products have been installed and maintained according to the instructions in the installation and user manual.

PW-SPA hot tubs in commercial use have a 6-month guarantee for material and manufacturing faults. Commercial use means providing rental services.

The guarantee is valid from the date of purchase.

Hot tub

The guarantee for the plastic tub of the hot tub is 10 years.

The wooden parts of the hot tub have a general guarantee for material and manufacturing faults provided that the products have been installed and maintained according to the instructions in the installation and user manual.

Stove:

The general guarantee for the stove is 2 years. Stoves in hot tubs in commercial use have a 1-year guarantee. The guarantee does not apply to the grate.

Note!

The guarantee does not apply to:

- faults caused during installation
- changes in colour, cracks, or damages in the wood panelling caused by variations in air humidity or other faults typical for wooden materials
- wear caused by normal use
- damages caused by incorrect use
- freeze damages
- damages caused by chemicals
- damages caused by lack of regular maintenance in accordance with the user manual.

The guarantee does not cover indirect costs arising from repairs of material and manufacturing faults.

Should you discover a product flaw, contact your salesperson immediately in writing and attach a picture.

We maintain the right to make changes.
This manual complies with the EN-17125 standard requirements.



PW-SPA hot tubs are manufactured by:

Plastweld Oy
Koivusillantie 82
66440 Tervajoki
Phone: 020 730 5900



www.plastweld.fi

Our products and spare parts are available from our retailers or from our web shop: www.plastweld.fi